

8" HOLLOW CORE

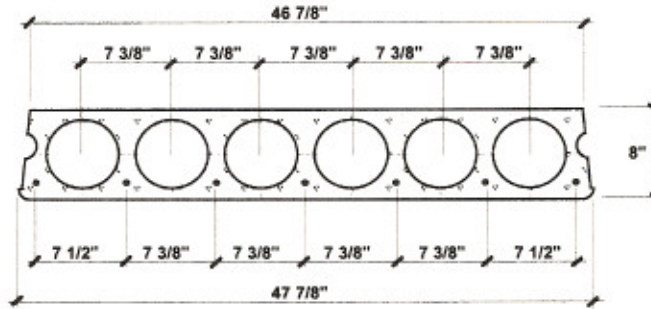
Strand Pattern Designation
 No. of Strands (4)
 S= Straight Pattern
48-S
 Diameter of Steel
 in 16ths

4'-0" x 8"
 Normal Weight Concrete

Section Properties	
Untopped	Topping
A = 207.6 in	96.0 in ²
I = 1630.0 in ⁴	2931 in ⁴
Y _b = 4.00 in	5.23 in
Y _t = 4.00 in	2.77 in
E = 5072 k/in ²	3586 k/in ²
W = 150 lb./ft.	150 lb./ft.

Safe loads should include a dead load of 10 psf for untopped members and 15 psf for topped members. Long-time cambers include superimposed dead load, but do not include live load.

Key
 180 - Safe Superimposed Service Load (psf)



f_c = 7000 psi
 f_{ci} = 4350 psi

Low-relaxation strand

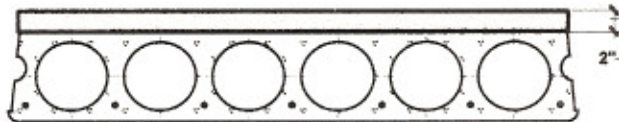
8" H.C.

Table of Safe Superimposed Service Loads (psf)

No Topping

STRAND PATTERN	Span, FT.																		
	14	16	18	20	22	24	26	28	30	32	34	36	38	40	42	44	46	48	50
28-S	180	129	92	66	47	32	21	12											
38-S	288	212	158	120	91	69	53	39	28	20	12								
48-S		293	222	171	134	105	83	66	51	40	30	22	15						
58-S			284	221	175	140	113	91	74	59	47	38	29	22	16	10			
68-S				270	215	174	142	116	95	78	64	53	43	34	27	20	15	10	
78-S					254	206	169	140	116	97	81	67	56	46	37	30	24	18	13

See Hollow Core Section Above for Dimensions



f_c = 7000 psi
 f_{ci} = 4350 psi
 f_c = 3500 psi (topping)

Low-relaxation strand

8" H.C. + 2"

Table of Safe Superimposed Service Loads (psf)

2" Normal Weight Concrete Topping

STRAND PATTERN	Span, FT.																		
	14	16	18	20	22	24	26	28	30	32	34	36	38	40	42	44	46	48	50
28-S	228	160	113	79	54	35	20												
38-S		266	197	147	110	82	60	43	29										
48-S			276	211	163	127	99	76	58	43	30								
58-S				273	214	170	135	107	85	67	52	35	20						
68-S					262	210	169	137	111	90	72	54	38	23					
78-S						248	202	165	135	111	91	74	55	39	26				

These tables are for general descriptive purposes only. Actual design load tables are dependent on local codes and standards, material properties and product end usage.



P.O. BOX 505 CASHMERE, WA 98815 (509) 782-1001 FAX (509) 782-4322

